

The Jazz Family

Within the Jazz Family, the Tenor5 is the same genre of fixtures you knew as the 1005. The architectural nature of this pocket accent lighting system, available in a flangeless option, presents a clean, unobtrusive integration of multiple sources in an honest, organized fashion that works in a variety of ceilings. The pockets are available in one, two or three headed rectangular apertures or greater multiples in the continuous linear version.

PROJECT:

TYPE:

SPECIFIER:

DATE:

Key Points (JZT5-4C)

Housing

- Extruded aluminum, customizable length housing available in standard and custom paint colors for housing and trim flange
- Flange or flangeless
- IC Rated/airtight housing approved for use in direct contact with insulation and supports CA Title 24 compliance to JA8 requirements
- Listed-Damp

Heads

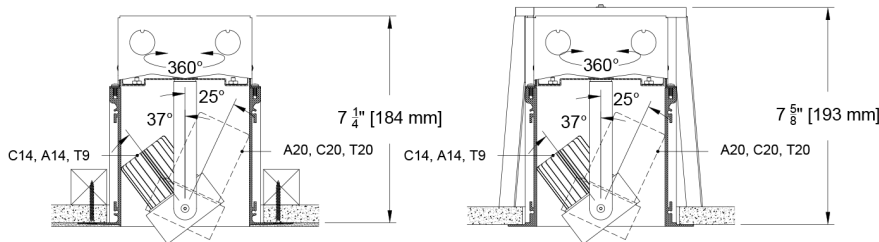
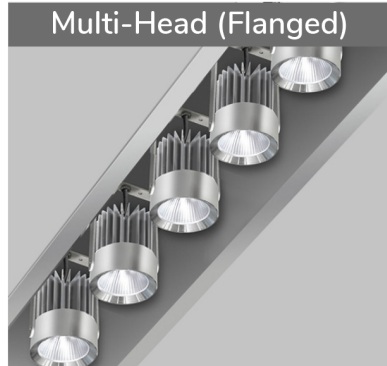
- Yoke and source/optic holder ring available in anodized finish or a painted in our array of standard and custom colors.
~ The heat sink is furnished with a black anodized finish, except when ordering a white painted head the heat sink is furnished with a clear anodize finish. ~
- Pull down yoke available as an accessory when additional pan and tilt are required.

Sources / Optics

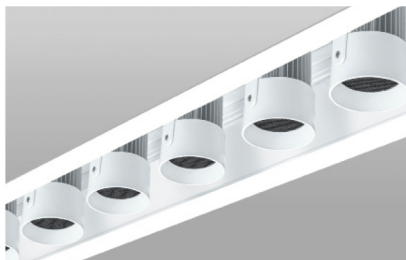
- Up to 1525 delivered lumens
- 4 beam spreads available - 15°, 20°, 36° and 60°
- 2400K, 2700K, 3000K, 3500K, 4000K, Ambient Dim (AD), or Tunable White (TW)
- <2 MacAdam Steps (<2 SDCM)
- 90+ CRI, 60+ R9 Standard, 95+ CRI, 90+R9 available with Ambient Dim option
- L87B3>55,000 hours at 40°C Ambient (for fixed White)

Drivers

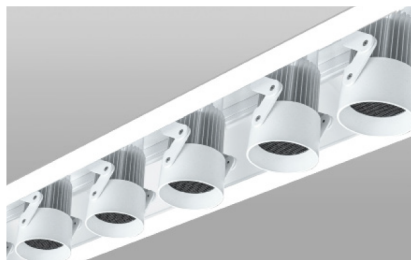
- Universal 120-277v
- 1% dimming standard
TruPhase™ Dimming to 0.1% available
- Integral drivers for TruPhase™, 0-10 or Lutron Ecosystem.
- Flicker Free to IEEE 1789-2015 available with EldoLED and TruPhase™ selections



Note: Due to deeper heat sink, the C20 source is limited to 25° tilt in some orientations



Standard Yoke



Pull Down Yoke
(Select PY in Accessories)

Ordering Codes

PROJECT:

SPECIFIER:

DATE:

TYPE:

QUANTITY:

Ordering Code Example: JZT5-4C-6-AP-27-4.5-A14-AD-20-C1-1C-P16-A32-91L-97L

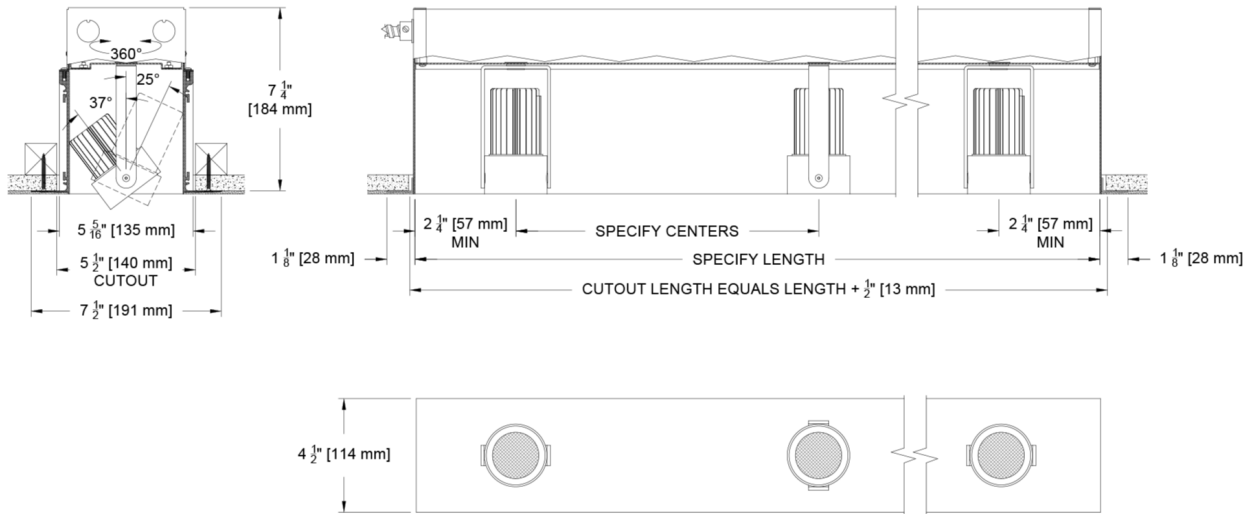
FIXTURE	HEADS	MOUNTING	LENGTH	CONFIGURATIO N	SOURCE / WATTS	CCT	BEAM	DRIVER / CONTROL	CIRCUITS	HOUSING FINISH	HEAD FINISH	ACCESSORIES
JZT5-4C												
Tenor5-4C	<p>## of heads (4-1/2" minimum spacing between heads)</p> <p>Note: Fixed Yokes are standard. Pull Down Yokes are available for greater head adjustment (see Accessories column). These options cannot be mixed within a pocket/housing. Refer to Configurations page for details, dimensions and head movements.</p>	<p>AF ●● Flanged Airtight/IC</p> <p>AP ●● Airtight Plaster IC-Rated</p> <p>AU ●● Airtight Universal IC-Rated</p> <p>AG Airtight Grid For use with Grid Ceilings</p> <p>●● Supports California Title 24 compliance to JA8 requirements</p>	<p>### of inches specify pocket housing length in inches</p>	<p># of inches o.c. between heads (4-1/2" minimum spacing between heads)</p>	<p>Citizen</p> <p>C14 ●● 15W 1104Lm* 90+CRI, 60+R9</p> <p>C20 ●● 21W 1525Lm* 90+CRI, 60+R9</p> <p>Tunable</p> <p>T7 ●● 10W 588Lm^ 90+CRI, 70+R9 Tunable White</p> <p>Ambient Dim™</p> <p>A14 ●● 15W 752Lm* 95+CRI, 90+R9</p> <p>A20 ●● 21W 858Lm 95+CRI, 90+R9</p> <p>●● Supports CA Title 24 compliance to JA8 requirements</p> <p>*Based on 20°</p> <p>^ Based on 20° Beam & 2765 CCT</p>	<p>24 2400K</p> <p>27 2700K</p> <p>30 3000K</p> <p>35 3500K</p> <p>40 4000K</p> <p>Tunable</p> <p>TW1840 1800-4000K Tunable White w/ E1, E2, E3, E4</p> <p>TW2765 2700-6500K Tunable White w/ E1, E2, E3, E4</p> <p>Ambient Dim™</p> <p>2722 2700-2200K (A14 Only)</p> <p>3019 3000-1900K</p> <p>3022 3000-2200K (A14 Only)</p>	<p>15° Spot</p> <p>20 Spot</p> <p>36 Flood</p> <p>60 Wide Flood</p> <p>* 15° beamspread not compliant with California Title 24</p>	<p>C1 0-10 1.0%, UNV (120-277V) linear</p> <p>C2 ELV/Triac 1.0%, (120V) linear</p> <p>E1 0-10 0.1%, UNV (120-277V) log</p> <p>E2 DALI-2 0.1%, UNV (120-277V) log</p> <p>E3 0-10 0.1%, UNV (120-277V) linear</p> <p>E4^ DMX 0.1%, UNV (120-277V) Universal DMX Driver/Controller RGBW-DMX ^ INCLUDES DMX/RDM COMPATIBLE DRIVER WITH BUILT-IN DECODER - CONTROLLER BY OTHERS</p> <p>LD Digital Ecosystem * 1.0%, UNV (120-277V) ECO Hi-Lume SoftOn/Fade-to-Black LDE1</p> <p>TR2 TruPhase™ 0.1%, (120-120V) log Up to 20W Forward and Reverse compatible Phase Dimming Static White & Ambient Dim only</p> <p>Ink™</p> <p>CA Wireless BLE 0.1%, UNV (120-277V) log Casambi</p>	<p>1C 1 Circuit</p> <p>#C (# of circuits must be equal to or less than the # of heads)</p>	<p>B Black Paint</p> <p>W White Paint</p> <p>PXX Specialty Paint Color* P01-P15</p> <p>C Custom/RAL*</p> <p>* See Finish Guide</p> <p>FINISH GUIDE LINK</p>	<p>A01 Black Anodize</p> <p>A32 Clear Anodize</p> <p>AXX Specialty Anodize Color* A1-A36</p> <p>AMXX Specialty Matte Anodize Color* AM1-AM36</p> <p>W White Paint ^</p> <p>PXX Specialty Paint Color* P01-P15</p> <p>C Custom/RAL*</p> <p>* See Finish Guide</p> <p>^ Furnished with clear anodized heat sink</p> <p>FINISH GUIDE LINK</p>	<p>Reflector (lamp) Media</p> <p>91L Solite*</p> <p>XXL Other Reflector (lamp) Media*</p> <p>97L Black Hexcel Louver*</p> <p>Other</p> <p>PY Pull Down Yoke ^</p> <p>Controls</p> <p>ATH Lutron Athena Wireless Node Must be used with E2 driver</p> <p>* See Lens Accessory Guide</p> <p>^ For Pull-down Yoke accessory refer to Configurations Page for details, dimension and head movements.</p> <p>LENS ACCESSORY VISUAL GUIDE LINK</p>

Ceiling Cutouts and Dimensions

4.5"- Continuous Multi-Head Flangeless Housing

Plaster Airtight / IC (AP)

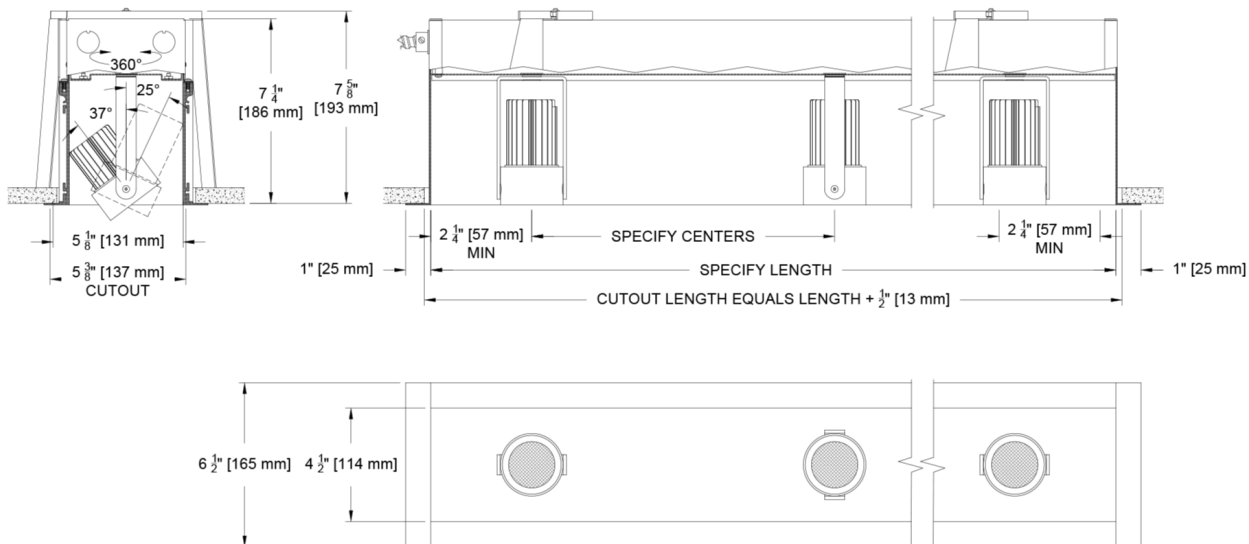
(JZT5-4C-6-AP-)



4.5"- Continuous Multi-Head Flanged Housing

Flanged Airtight / IC (AF)

(JZT5-4C-6-AF-)

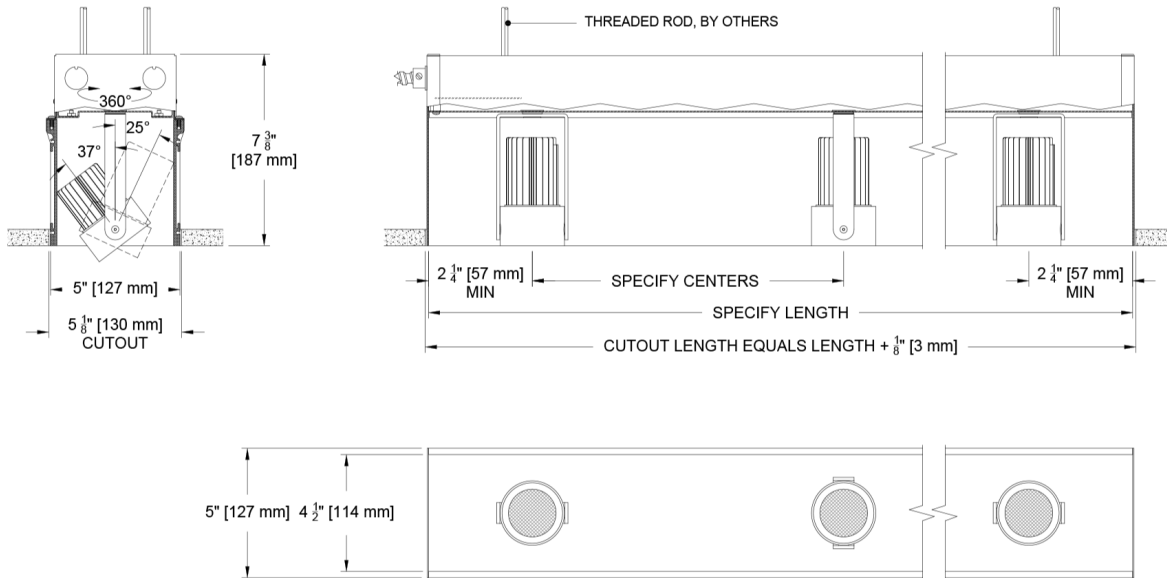


Ceiling Cutouts and Dimensions

4.5"- Continuous Multi-Head Flangeless Housing

Universal Airtight /AU

(JZT5-4C-6-AU-)

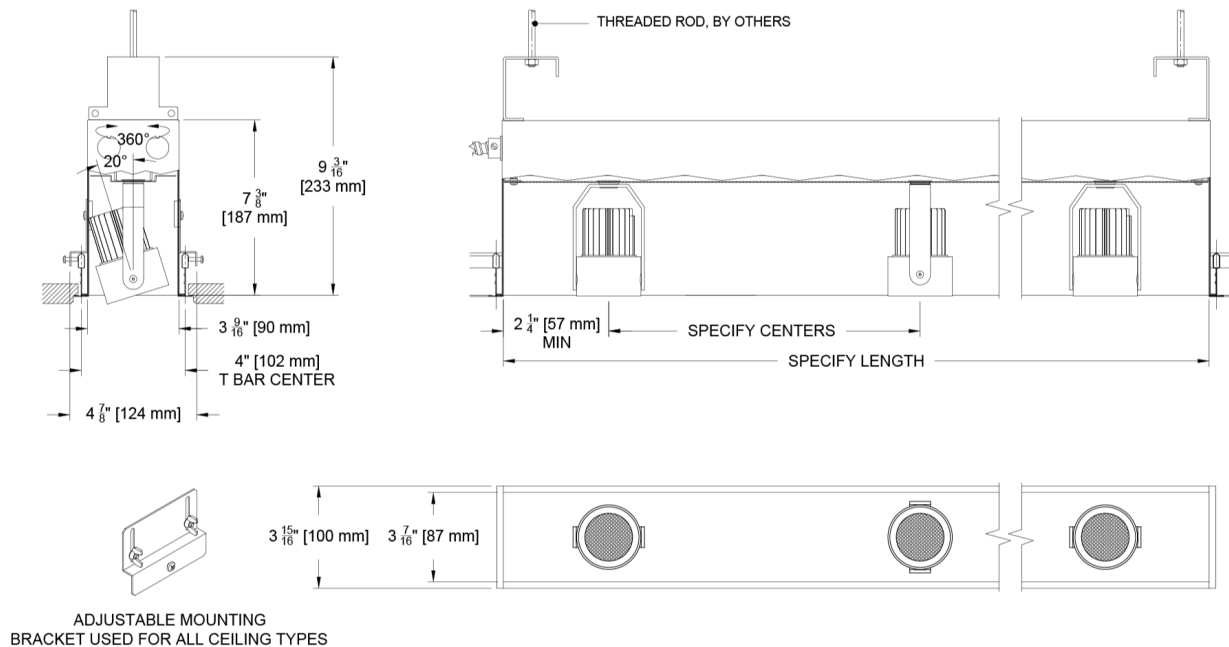


4.5"- Continuous Multi-Head

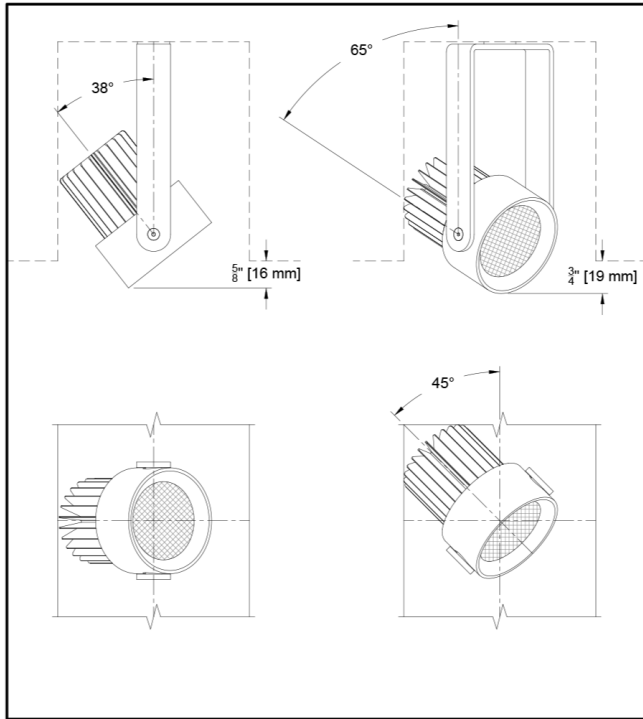
Airtight Grid /AG

** For use with Grid Ceiling

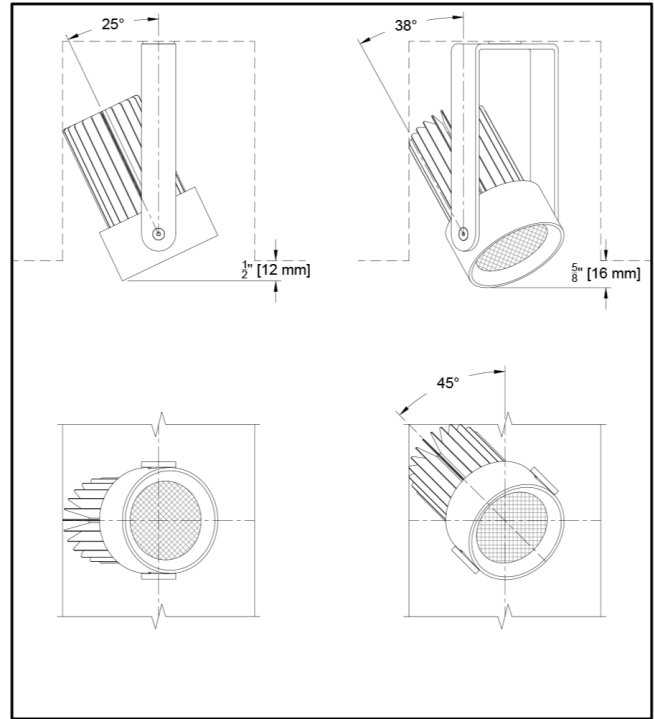
(JZT5-4C-6-AG-)



Standard Yoke C14, A14, C20 AND T7 SOURCES

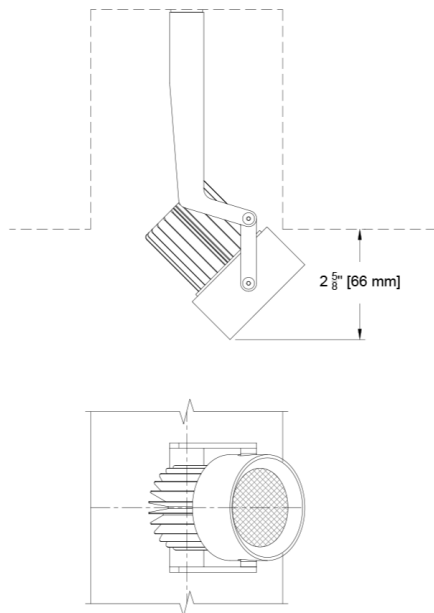


C14, A14 and T7 Sources



C20 Source

Pull Down Yoke - Full Adjustability C14, A14 AND T7 SOURCES (See Accessories and select PY)



Photometric Table

All data is based from goniometer measurements of production representative product. All lumen values can vary +/- 10% from LED manufacturer rated flux range. All measurements are delivered lumens based on 3000K unless otherwise noted below. Data is based upon a single head aimed at 0°. Multiple heads will deliver more light. Ambient dim measured at full output. Tunable White measurements at mid-point of CCT range (2700k for 1840 and 4500k for 2765 source). ISO cd Plots based upon C20 Source.

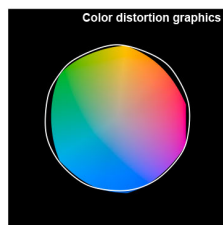
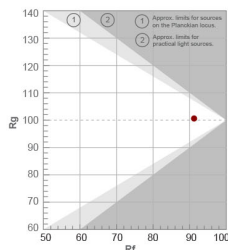
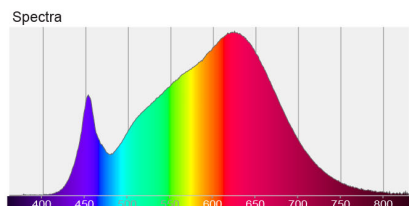
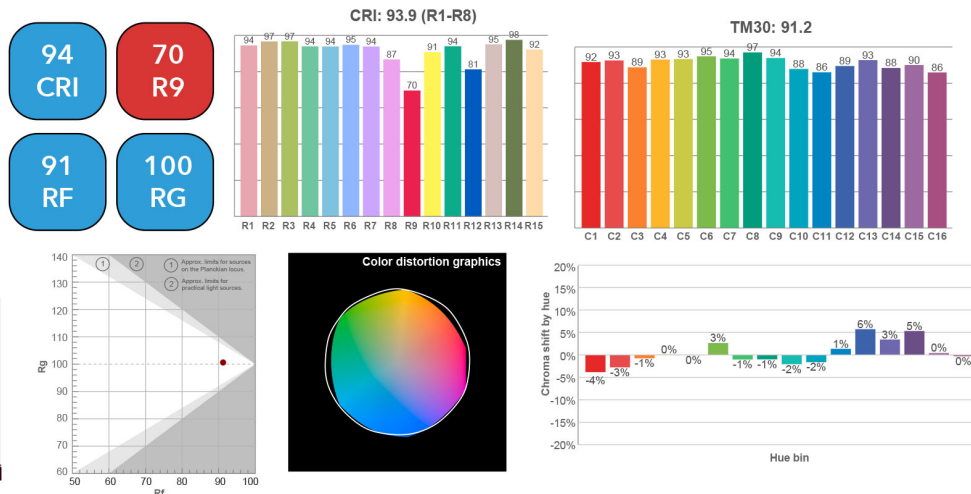
Beamspreads		15°					20°				36°				60°			
Source	System watts (W)	Delivered Lumens (lm)	Lumens/Watt	Peak cd	10% Field	Delivered Lumens (lm)	Lumens/Watt	Peak cd	10% Field	Delivered Lumens (lm)	Lumens/Watt	Peak cd	10% Field	Deliv. Lumens (lm)	Lumens/Watt	Peak cd	10% Field	
SINGLE HEAD	Citizen C14	14	1073	77	5515	39°	1104	79	3832	49°	1082	78	1761	76°	Consult factory for photometry			
	Citizen C20	21	1467	71	7627	39°	1525	74	5311	49°	1502	73	2418	76°				
	Ambient Dim A14	15	750	50	4868	34°	752	50	2910	45°	758	50	1272	74°				
	Tunable White 1840	10	443	43	2469	33°	456	45	2008	41°	470	46	802	77°				
	Tunable White 2765	10	573	58	3221	33°	588	59	2547	41°	581	59	965	78°				
CCT Multiplier																		
CCT	Citizen																	
2700	0.95																	
3000	1.00																	
3500	1.02																	
4000	1.03																	
<p>All measurements are delivered lumens based on 3000K unless otherwise noted below. Ambient dim measured at full output. Tunable White measurements at mid-point of CCT range (2700k for 1840 and 4500k for 2765 source). ISO cd Plots based upon C20 Source. Refer to photometry tab on product page for exact ICO cd plot and IES files. Data is based upon a single head aimed at 0°. Multiple heads will deliver more light and will need to be accounted for individually in calculations. The following combinations do not meet CA Title 24 JA8 requirements: Tunable White (1840)-15°.</p>		Consult factory for photometry																

Color Data

All data below are delivered lumens. Color and flux information based on goniometer measurements of production representative product. All values can vary +/- 10% from LED manufacturer data range as listed on their datasheet.

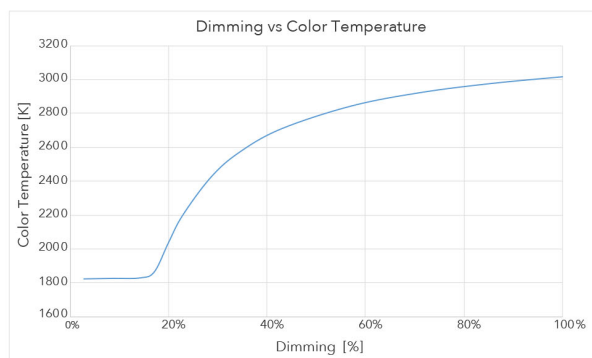
Citizen Source C14,C20

- <2 MacAdam Ellipse (<2 SDCM)
- 90+ CRI and RF
- 60+R9, Hue Bin 1

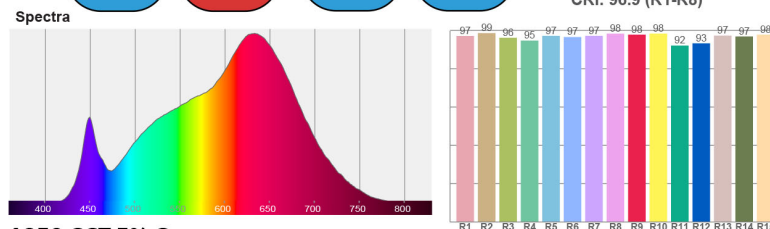


Ambient Dim Source A14 (AD - 3000k to 1900k)

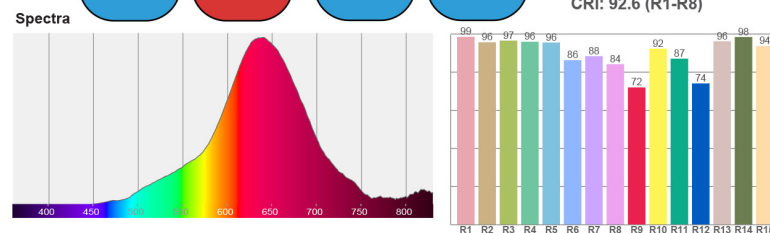
- <3 MacAdam Ellipse (<3 SDCM)
- 95+ CRI and RF
- 90+R9, Hue Bin 1
- Follows Black Body Locus through dimming range



3000 CCT Full Output



1850 CCT 5% Output

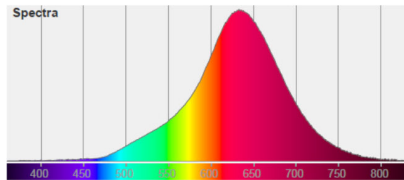


Tunable White Source T7 - CCT 1840 (1800k to 4000k)

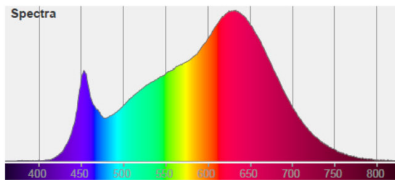
- <3 MacAdam Ellipse (<3 SDCM)
- 94 CRI average across all CCTs
- 76 R9 average across all CCTs
- Available in both wired or wireless control

INK		TUNABLE WHITE - 1800-4000K						
Color Temp		1800	2200	2500	2700	3000	3500	4000
System Watts		10	10	10	10	10	10	10
Delivered Lumens		352	402	435	456	500	530	530
Luminaire Efficiency		37	42	46	48	53	56	56
Flux and Color data based on 20° measurement at 2700k. All other values are extrapolated from actual and analytical tests								

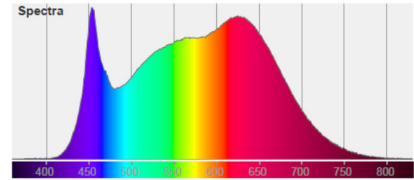
Spectral Power Distributions at all listed CCTs available upon request



1800K



3000K



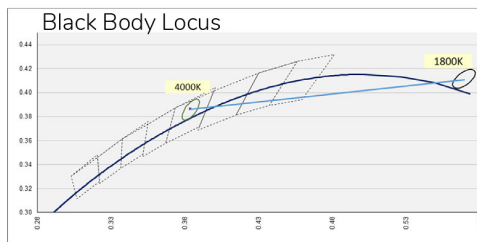
4000K

94
CRI

76
R9

89
RF

97
RG

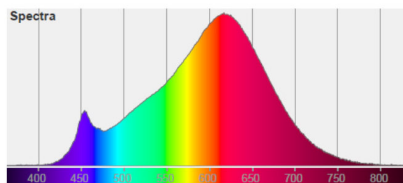


Tunable White Source T7 - CCT 2765 (2700k to 6500k)

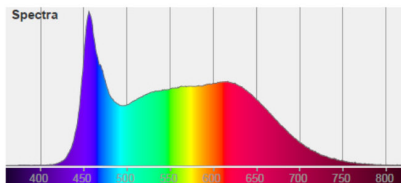
- <3 MacAdam Ellipse (<3 SDCM)
- 94 CRI average across all CCTs
- 96 R9 average across all CCTs
- Available in both wired or wireless control

INK		TUNABLE WHITE - 2700-6500K								
Color Temp		2700	3000	3500	4000	4500	5000	5500	6000	6500
System Watts		10	10	10	10	10	10	10	10	10
Delivered Lumens		553	570	588	589	588	587	586	585	591
Luminaire Efficiency		58	60	62	62	62	62	62	62	62
Flux and Color data based on 20° measurement at 4500k. All other values are extrapolated from actual and analytical tests										

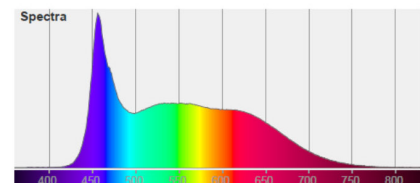
Spectral Power Distributions at all listed CCTs available upon request



2700K



5000K



6500K

96
CRI

76
R9

91
RF

99
RG

